

The Bollard



EASY INSTALLATION
MULTIPLE APPLICATIONS
VERY DURABLE

**Quality
Intelligence
Precision**

Constructed with durable carbon steel and will mount BEA's 4 3/4" square and 4 1/2" round push plate lines

- Can be mounted on either existing concrete or newly poured concrete
- Available in silver, bronze, and black
- Stainless steel mounting bracket
- UV Resistant ABS plastic cap allowing for wireless transmissions

The Bollard

BOLLARD TECHNICAL SPECS

Dimensions
(with cap attached)
41 1/2" H x 6 1/4" W x 4 1/4" D

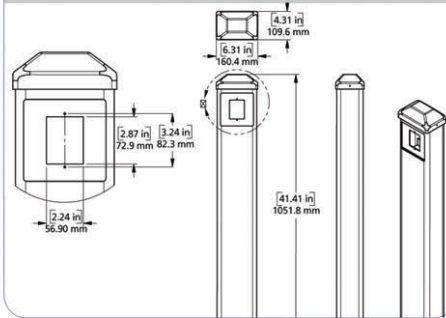
Material
Post
Powder-Coated
Carbon Steel
(Inside and Out)
Cap
UV-Resistant ABS Plastic
Mounting Bracket
Stainless Steel

Pushplate Options
4 1/2" Square Pushplate,
4 3/4" Square Pushplate,
4 3/4" Square Panther Pushplate,
Dual Vestibule Pushplate
and 4 1/2" Round Pushplate

Weight
35 lbs (16 kilos)

Colors
Black, Bronze, Silver
Mounting Hardware
Screws, Expansion
Anchors, Washers
and Nuts (Included)

BOLLARD DRAWINGS



BOLLARD FAMILY OF PRODUCTS



The Bollard is used for mounting pushplates that activate automatic doors. It will accept BEA's 4 1/2" Square Pushplate, 4 3/4" Square Pushplate, 4 3/4" Panther Pushplate, Dual Vestibule Pushplate and 4 1/2" Round Pushplate. The post is made of durable carbon steel and the mounting bracket is made of stainless steel for strength. It can be mounted on either existing concrete or newly poured concrete.

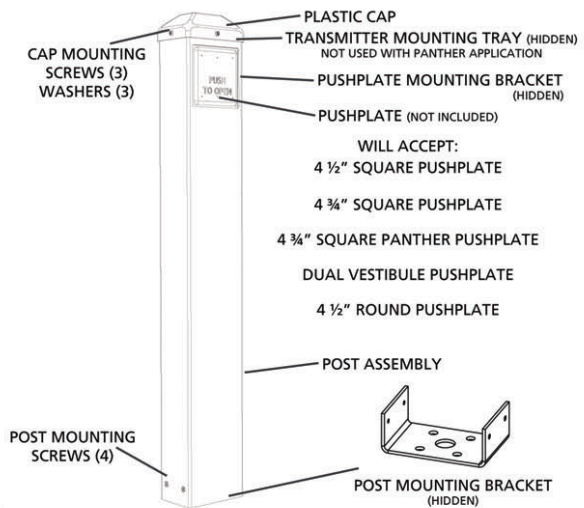
10BOLLARDBLK - Black
10BOLLARDBRZ - Bronze
10BOLLARDSLIV - Silver

BOLLARD APPLICATIONS



LOW ENERGY DOORS

BOLLARD DETAIL



BOLLARD RELATED PRODUCTS



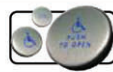
M508
Touchless microwave
motion detector



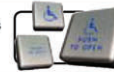
RD433
433 Mhz Digital
Receiver with
Multiple applications



TD433
433 Mhz Digital
Transmitters



Round Push Plates
Any 4.5", 6", or
Panther style



Square Push Plates
Any 4.5", 4.75", 6"
or Panther style